

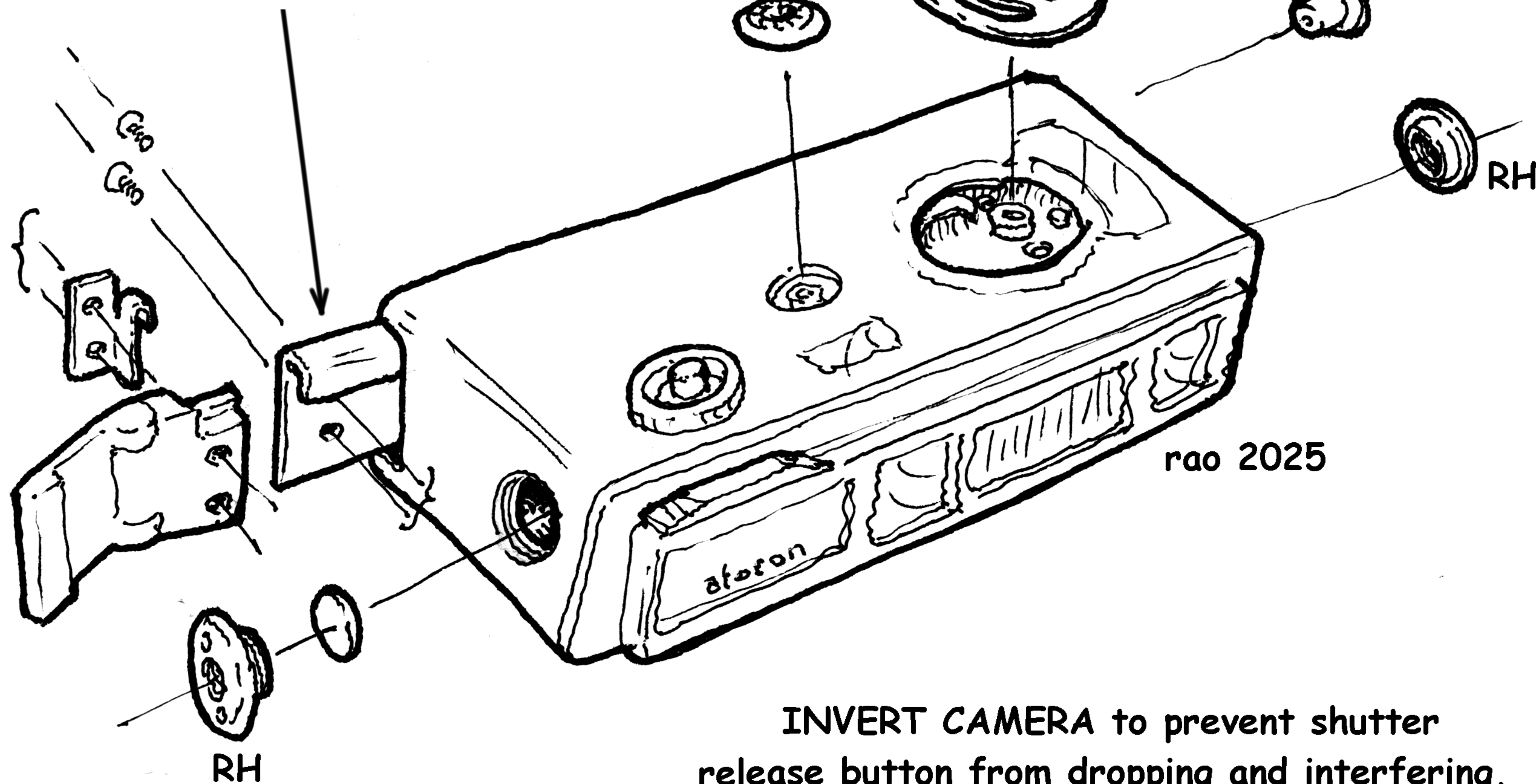
YASHICA ATORON 1-2025

Pull rack out
TWO CLICKS
to reach screws.

SCREWS ARE GLUED IN

Heat for several minutes
with soldering iron
to weaken glue before removing.

After removing handle,
cock and release
to withdraw rack into shell.



NOTE:

Early cameras do not have pin face screws:
aluminum discs are glued on top of
slotted brass screws.

May require drilling spanner holes to remove.

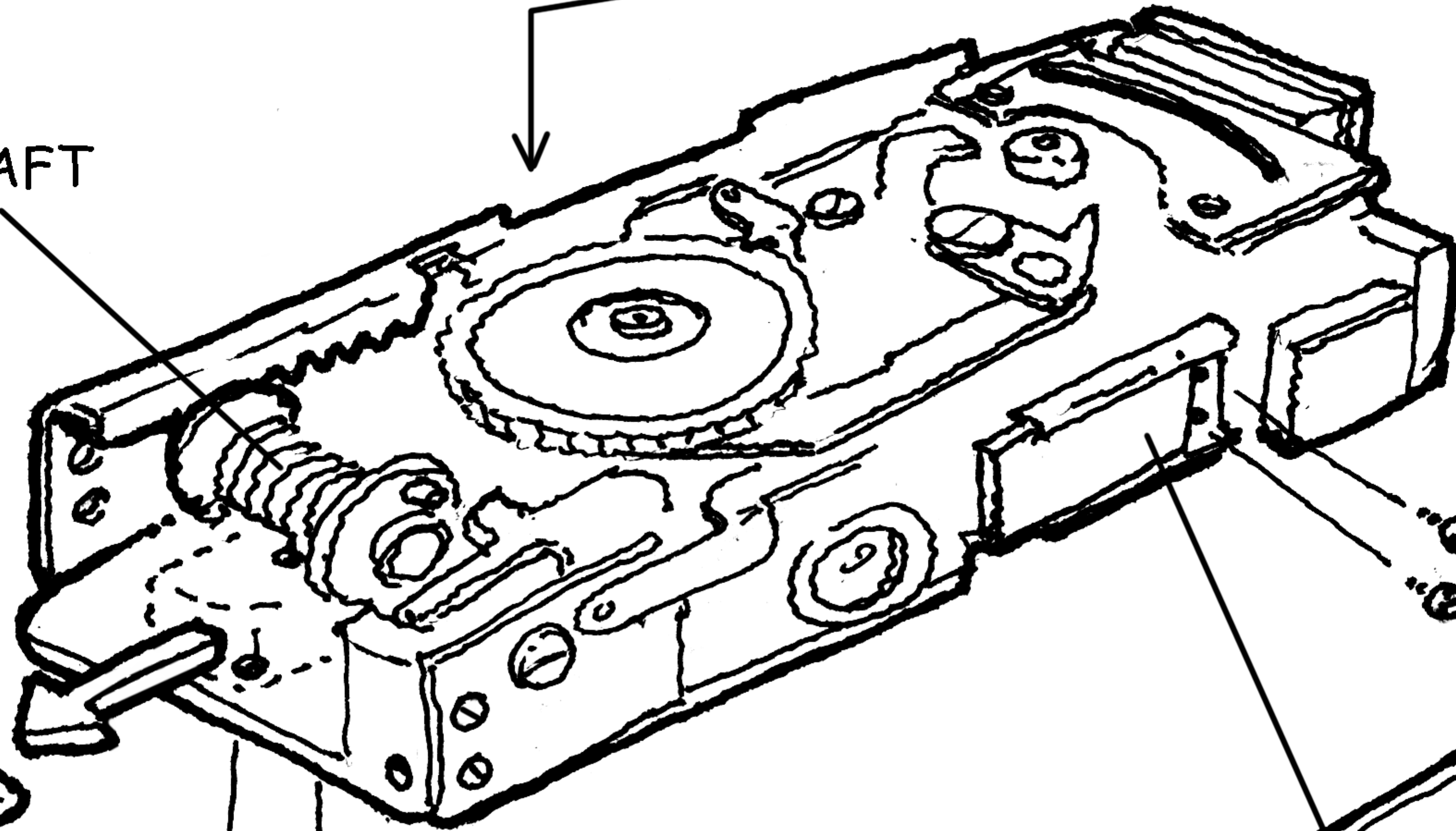
INVERT CAMERA to prevent shutter
release button from dropping and interfering,
and slide shell off to rear.
Watch for interference in speed dial area.

YASHICA ATORON

PRESSURE PLATE IS LOOSE -
HELD IN BY COCKING RACK

SHUTTER TIMING SHAFT

SHUTTER SPEED
ESCAPEMENT
(2 SCREWS FROM BELOW
TO REMOVE)

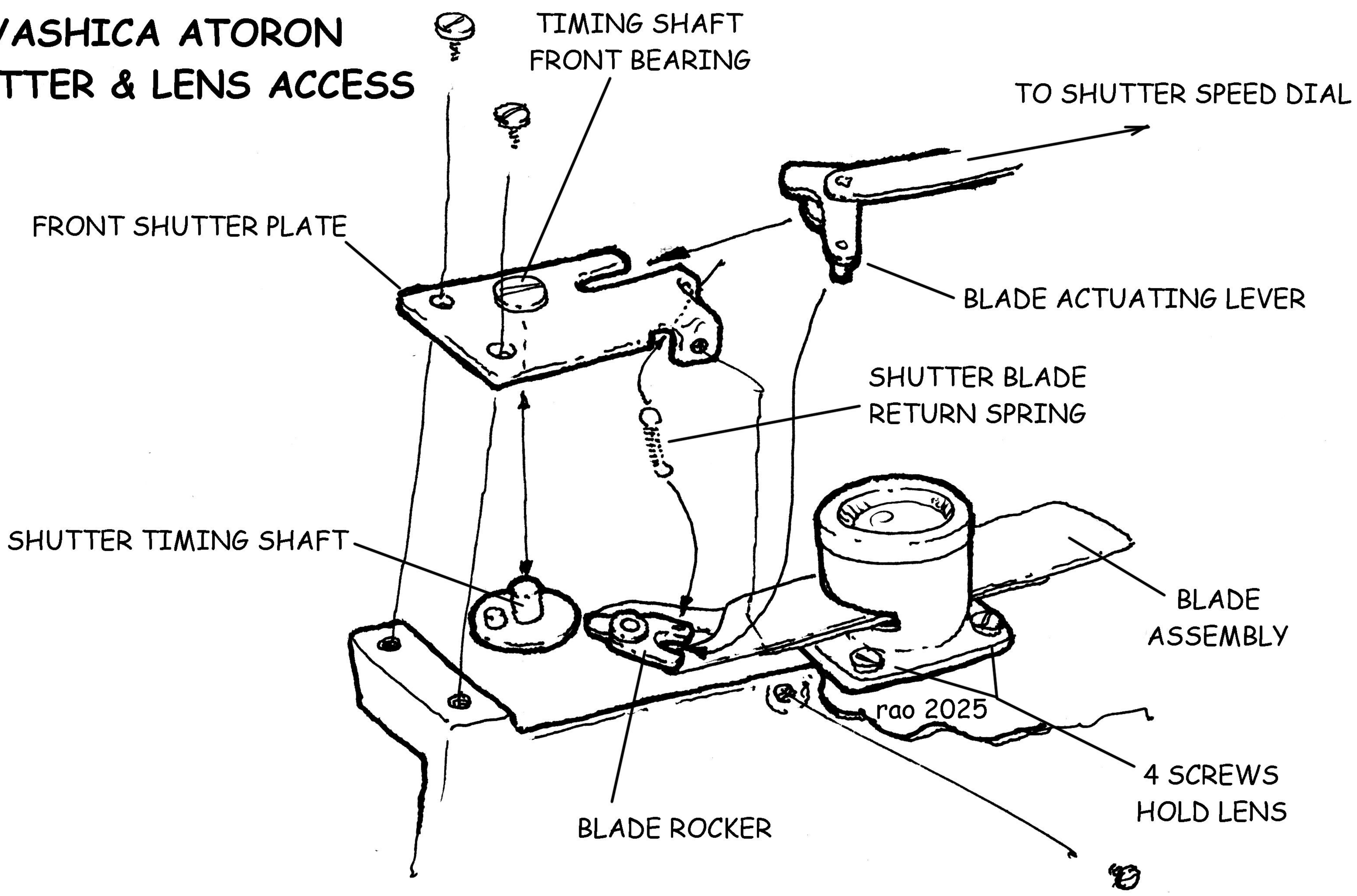


rao 2025

SLIDE METER CELL TO LEFT
TO REVEAL 2 SCREWS FOR REMOVAL

Shaw

YASHICA ATORON SHUTTER & LENS ACCESS



TO CLEAN SHUTTER BLADES

- REMOVE FRONT SHUTTER PLATE
(2 SCREWS ON FRONT, 1 BELOW)
- **BLADE RETURN SPRING IS ANCHORED TO FRONT PLATE
- **FRONT BEARING OF TIMING SHAFT IS IN FRONT PLATE
(SLIDE OUT OF SS DIAL LINKAGE)
- LIFT BLADE ROCKER OFF OF SHAFT
AND SLIDE BLADES OUT OF SLOT IN LENS BARREL

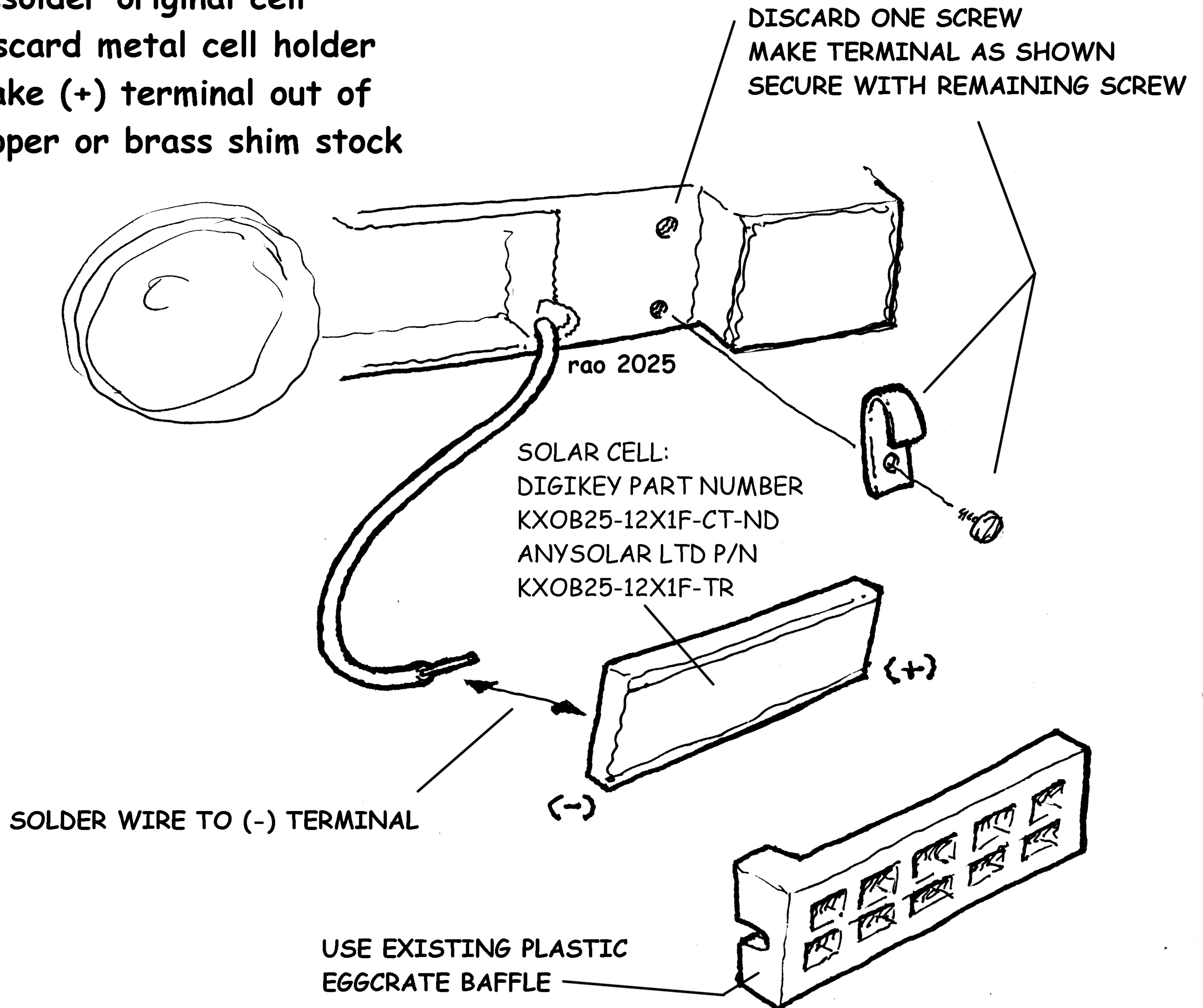
AFTER REMOVING SHUTTER BLADES

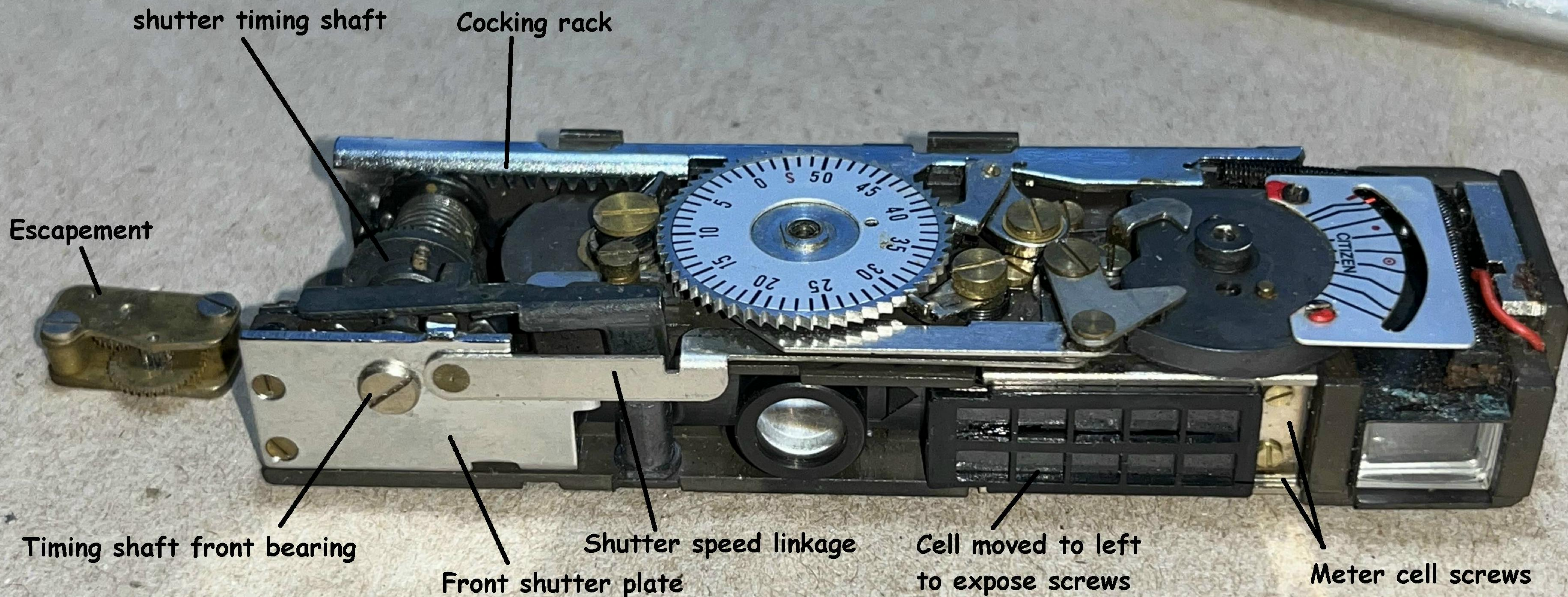
- LENS CAN BE REMOVED
BY REMOVING 4 SCREWS
AND LIFTING OFF
- SPANNER RING IN REAR
HOLDS REAR DOUBLET

YASHICA ATORON

Replacing light meter cell

- Desolder original cell
- Discard metal cell holder
- Make (+) terminal out of copper or brass shim stock





shutter timing shaft

Cocking rack

Escapement

Timing shaft front bearing

Front shutter plate

Shutter speed linkage

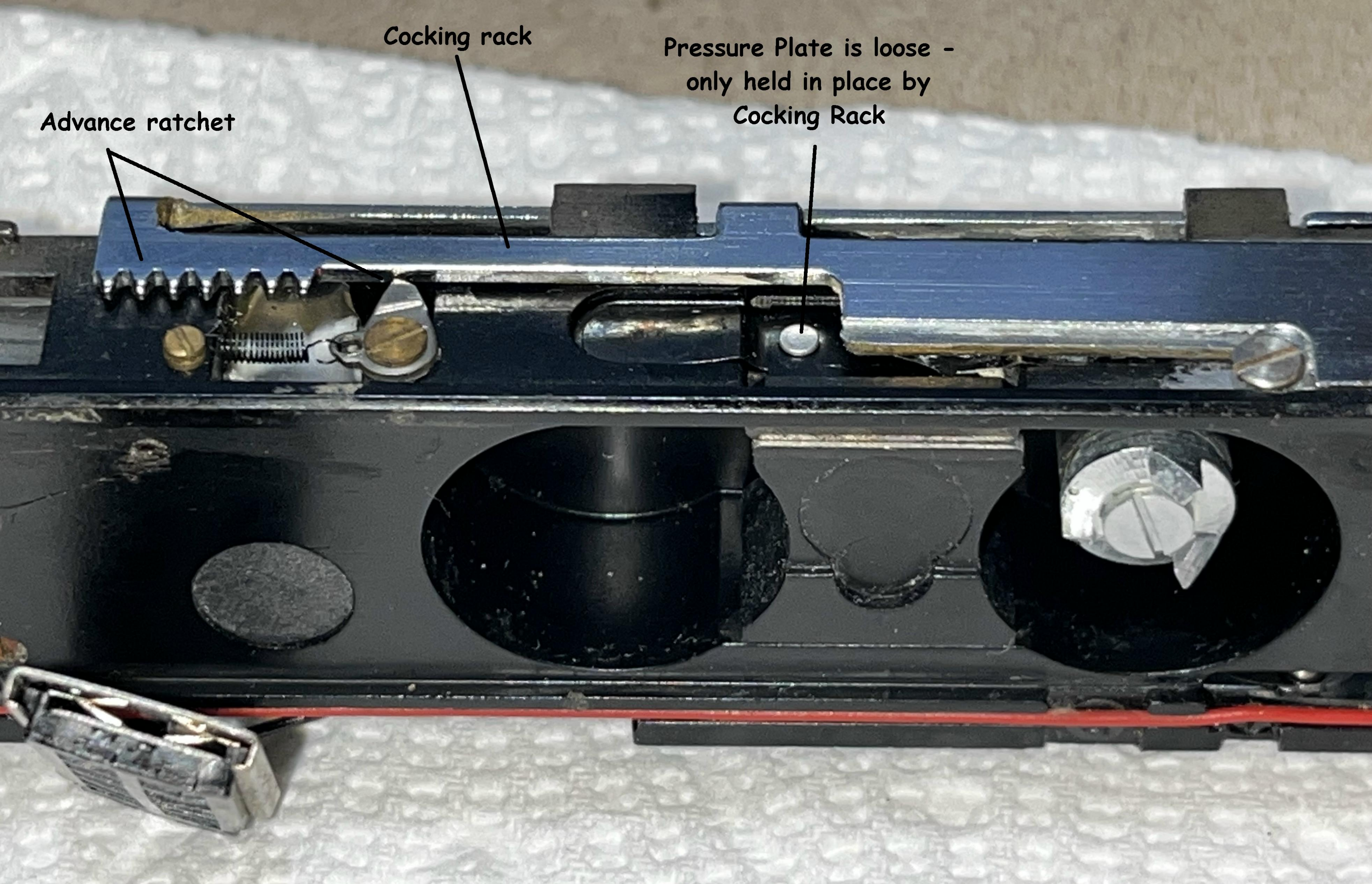
Cell moved to left to expose screws

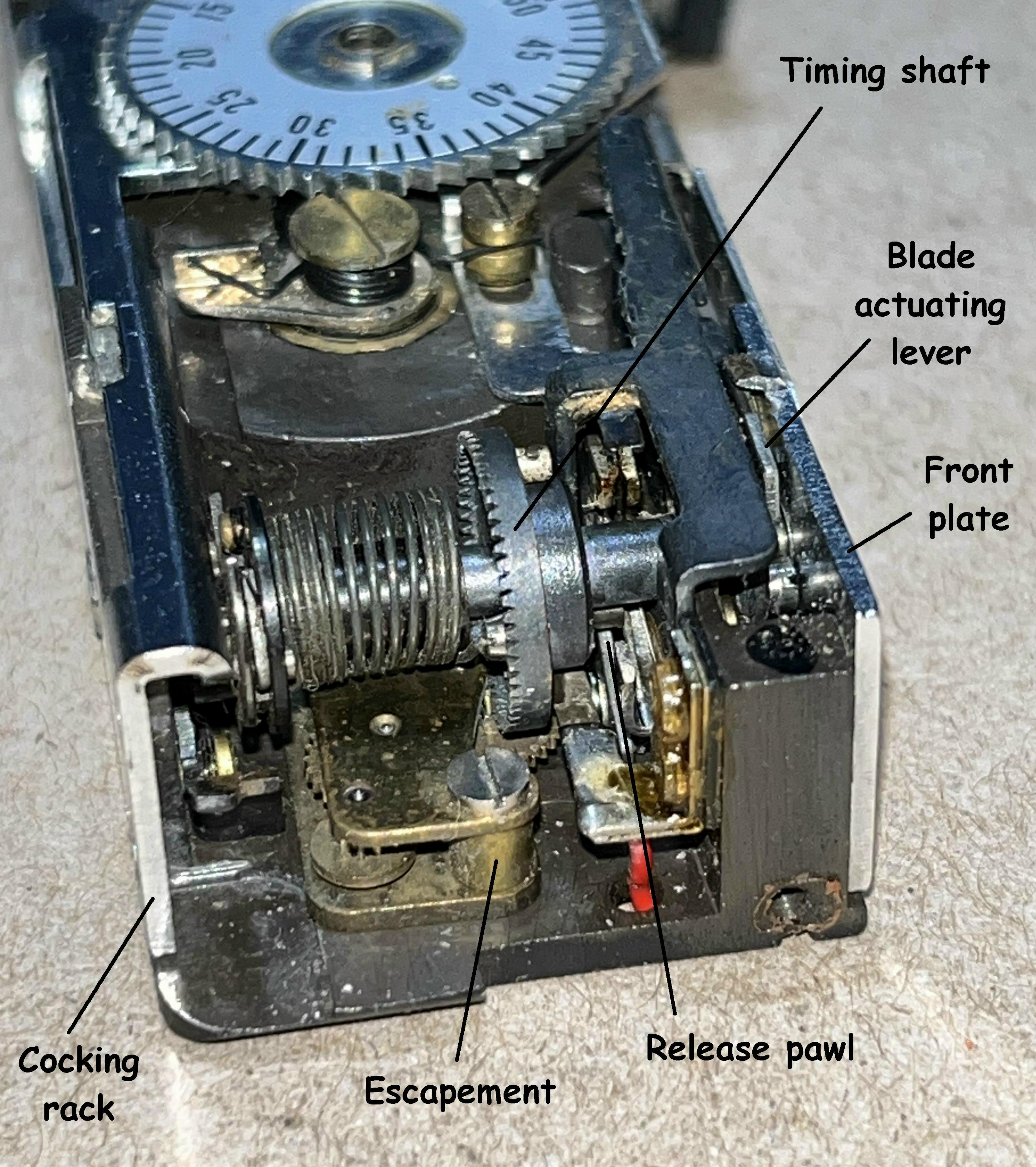
Meter cell screws

Advance ratchet

Cocking rack

Pressure Plate is loose -
only held in place by
Cocking Rack





Timing shaft

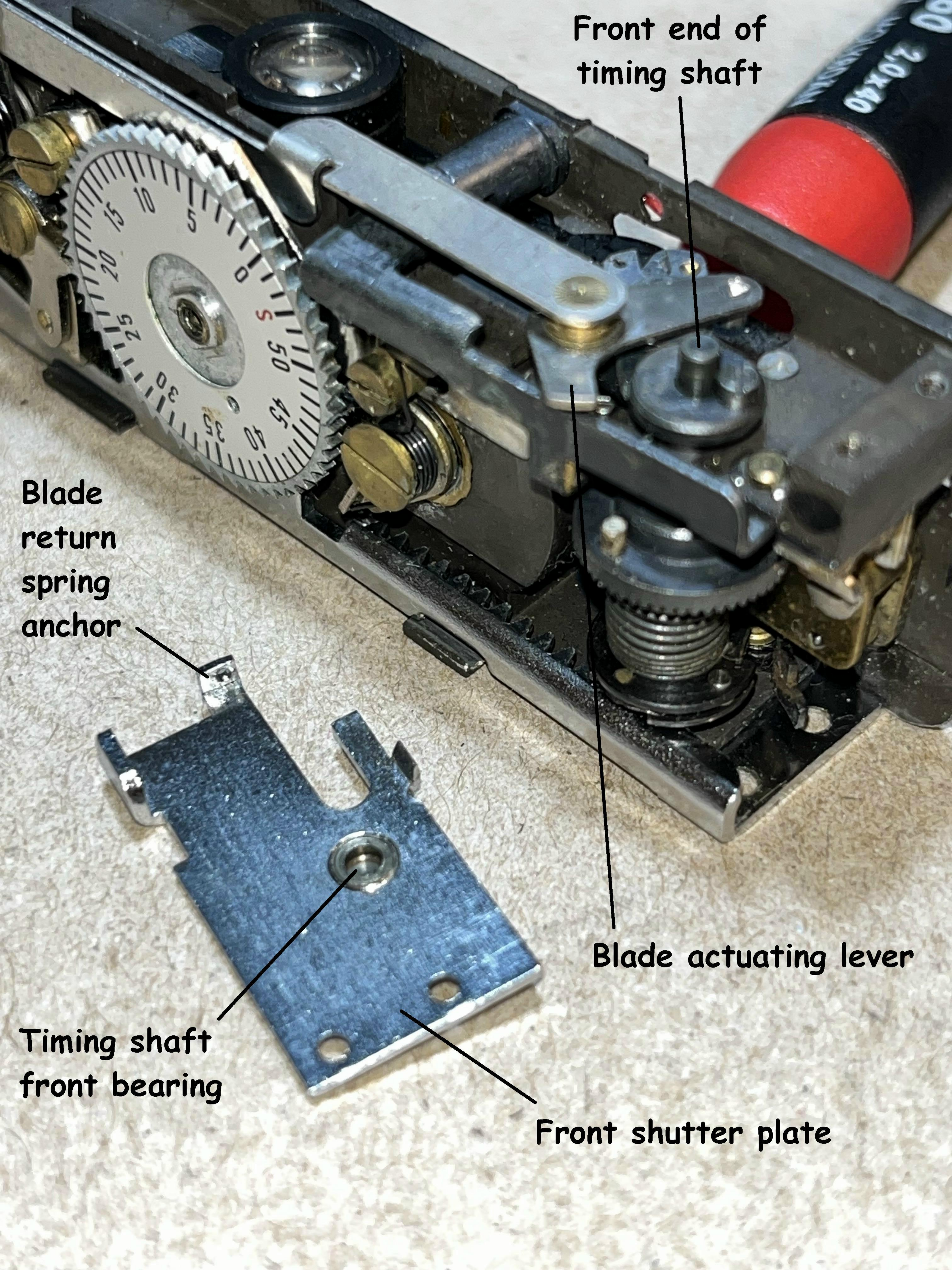
Blade
actuating
lever

Front
plate

Cocking
rack

Escapement

Release pawl



Front end of timing shaft

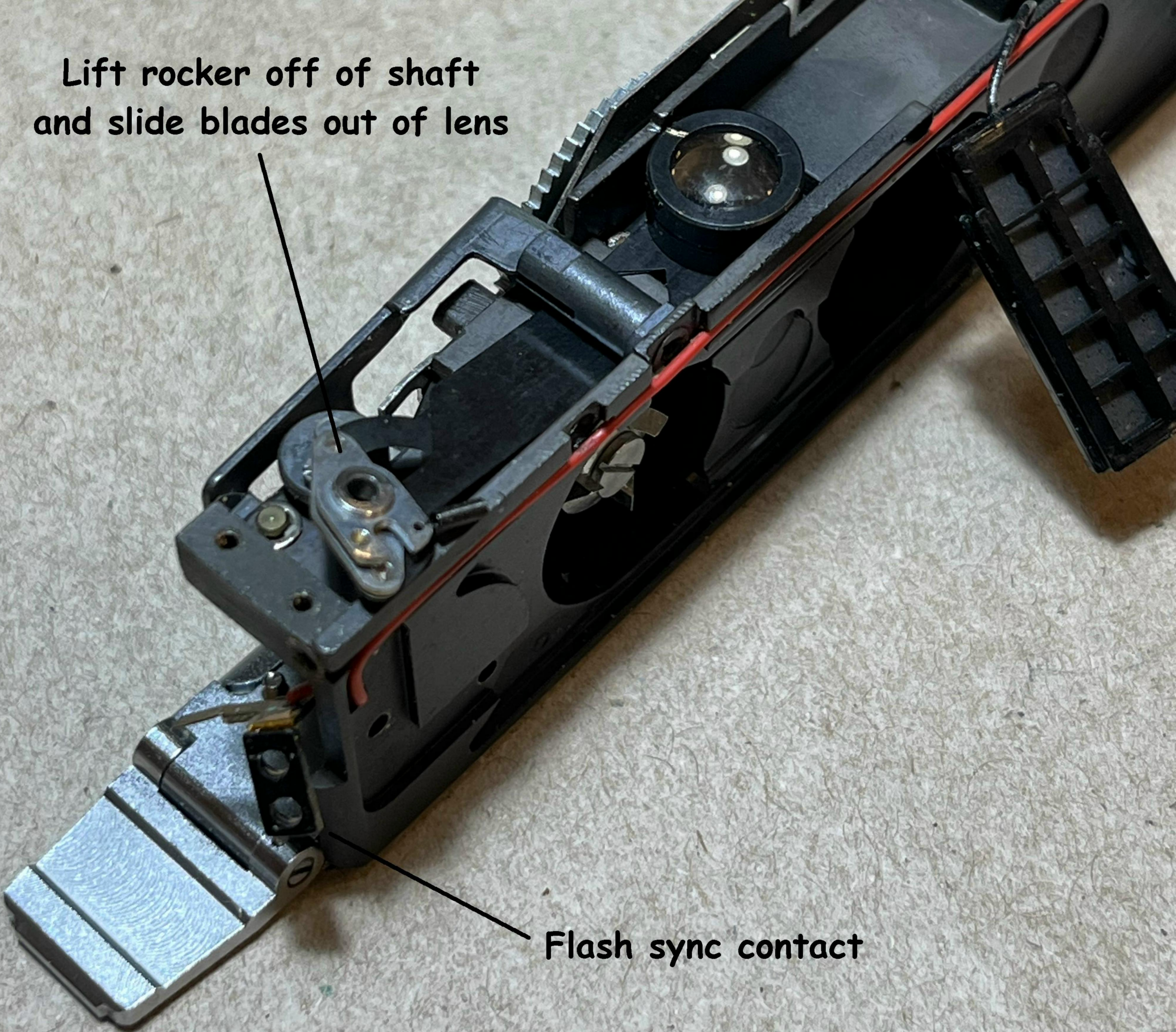
Blade return spring anchor

Timing shaft front bearing

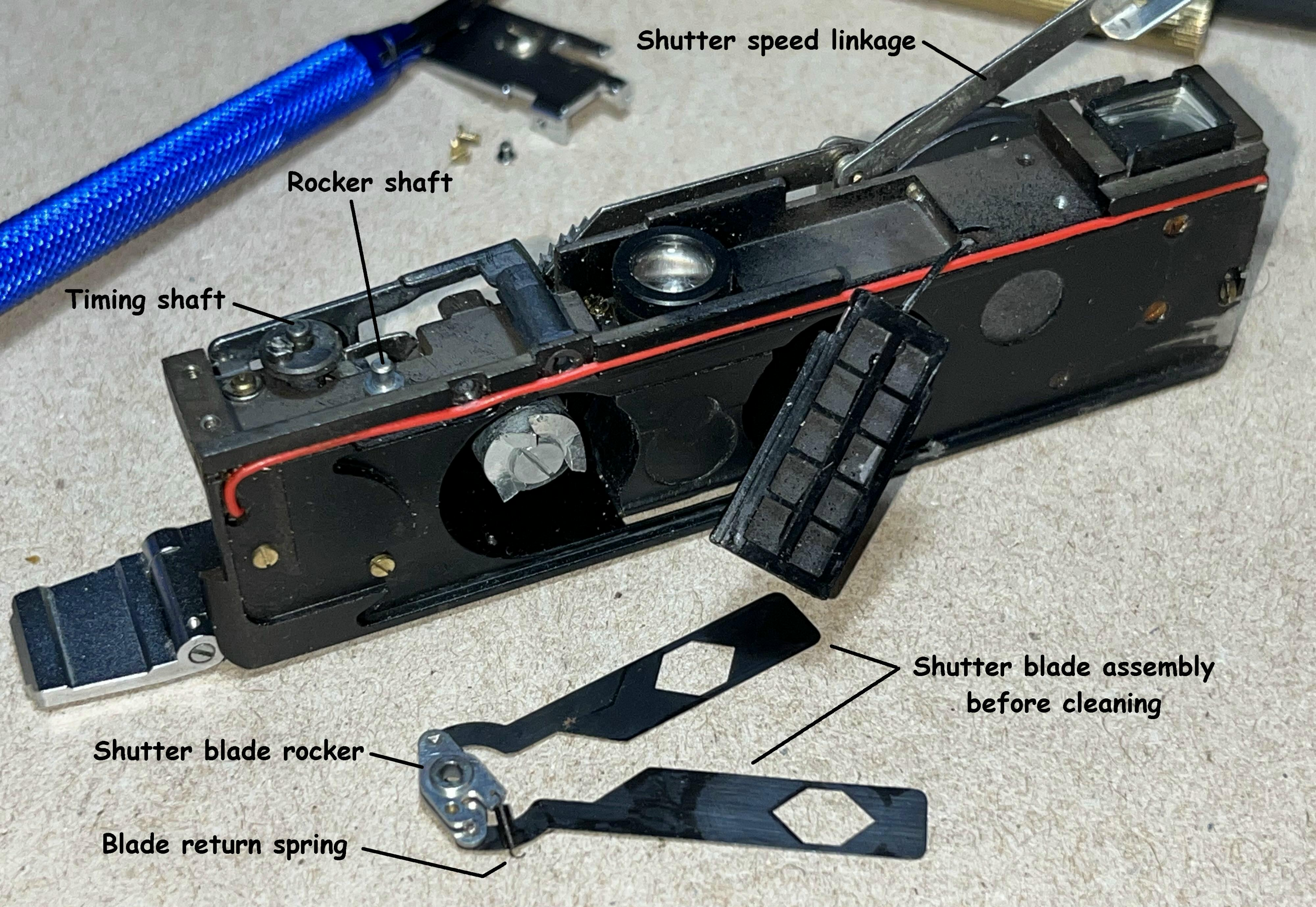
Blade actuating lever

Front shutter plate

Lift rocker off of shaft
and slide blades out of lens



Flash sync contact



Shutter speed linkage

Rocker shaft

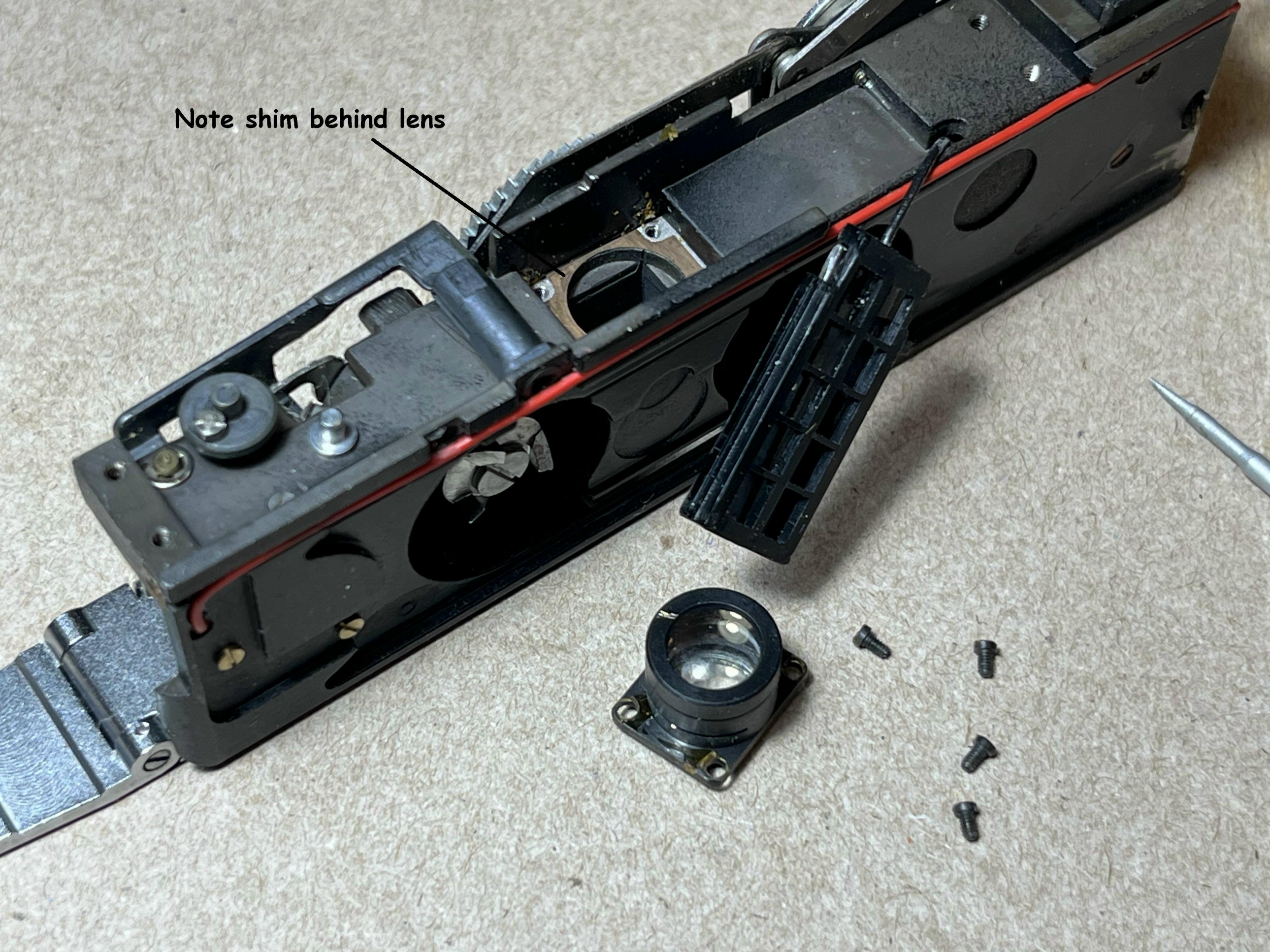
Timing shaft

Shutter blade assembly
before cleaning

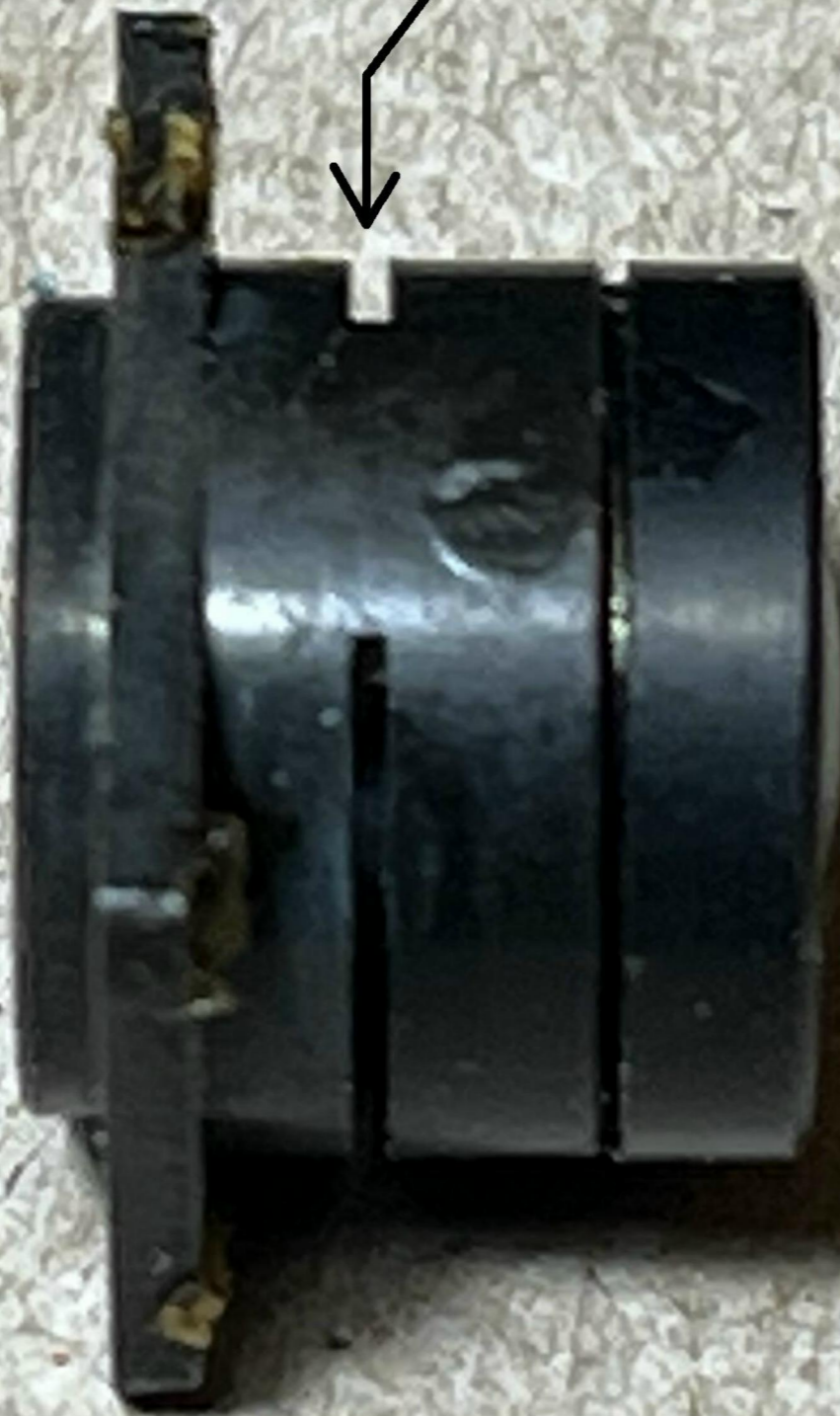
Shutter blade rocker

Blade return spring

Note shim behind lens



Slot for shutter blades



Spanner ring retains cemented doublet rear element



Yashica Atoron lens barrel details